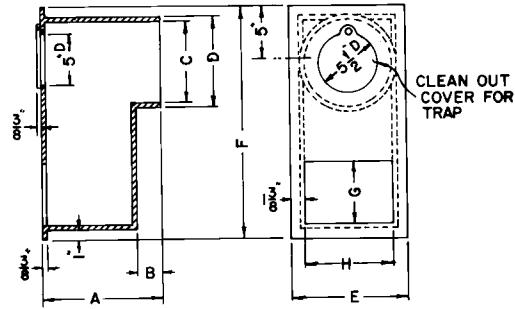


■ Note: When specifying/ordering grates, refer to "Choosing the Proper Inlet Grate" on pages 125-126.
 For a complete listing of FREE OPEN AREAS and WEIR PERIMETERS of all NEENAH grates, refer to pages 327-332.

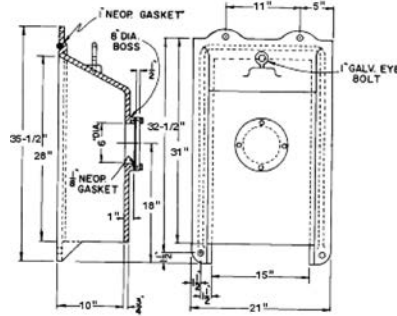
R-3707 Series
Catch Basin Trap



Available without flange on box if required.

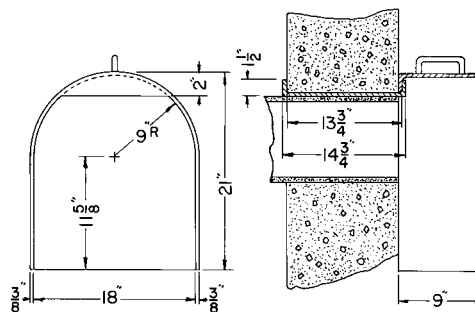
Dimensions in inches							
Catalog No.	A	B	C	D	E	F	H
R-3707-12	11 1/2	2 1/2	12	12 3/4	14 3/4	28	12
R-3707-15	13	4	15	15 3/4	17 3/4	34 1/8	15

R-3708-12
Catch Basin Trap



Unit bolts to existing flat concrete wall.

R-3711
Catch Basin Hood with Hook



Install on flat wall only.

Supplied By:



877-903-7246

www.trenchdrainsupply.com

ROLL & GUTTER INLETS
 5